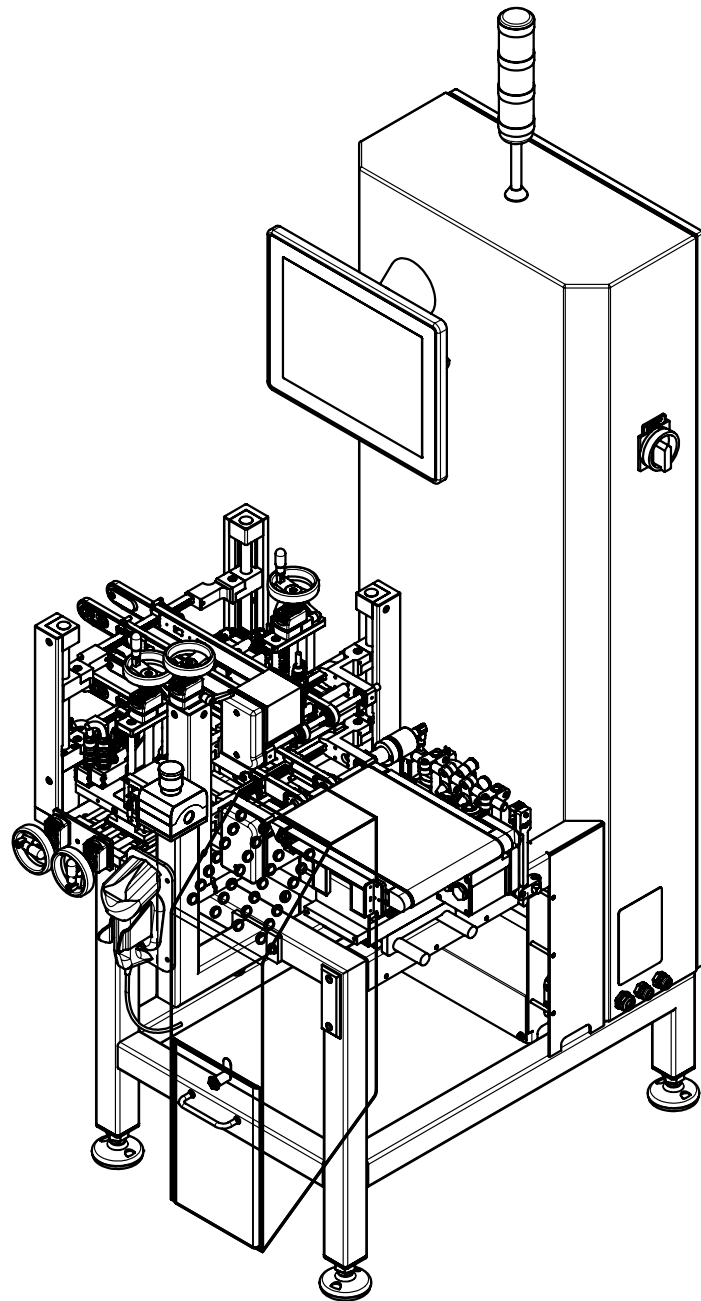


# TQS-SP

TECHNICAL DATA



# TECHNICAL DATA

TQS SP

## BASE DATA

|                                       |  |
|---------------------------------------|--|
| <b>Material of machine</b>            | Stainless steel V2A/AISI 304   |
| <b>Unit weight</b>                    | 180 kg   |
| <b>Production type</b>                | IP54 <sup>1)</sup>   |
| <b>Temperature range</b>              | +5 °C to +40 °C  |
| <b>Display and operation</b>          | 15" colour TFT display with touchscreen (optionally 19" colour TFT display with touchscreen) |
| <b>Interfaces</b>                     | Standard level 3 interface (XML, Ethernet)   |
| <b>Output</b>                         | 300 pcs/min (optionally 600 pcs/min)   |
| <b>Product length</b>                 | 30 mm-200 mm (optionally 20 mm-300 mm)   |
| <b>Product height</b>                 | 10 mm-150 mm (optionally 10 mm-200 mm)   |
| <b>Product depth</b>                  | 40 mm-200 mm (optionally 80 mm-300 mm)   |
| <b>Product transport height</b>       | 800 mm-950 mm (optionally 700 mm-840 mm / 900 mm-1,050 mm)                                   |
| <b>Drive</b>                          | Servomotor   |
| <b>Length of the travel direction</b> | 800 mm (with tamper-evident 1,600 mm)  |
| <b>Rated voltage; Rated frequency</b> | L1/N/PE 100-240V; 50/60 Hz   |
| <b>Connect load</b>                   | 1 kVA  |
| <b>Compressed air</b>                 | Approx. 6 bar 16 NI/min, quality class 5/3/3 to DIN ISO 8573-1                               |

## OPTIONAL COMPONENTS

|                                |  |
|--------------------------------|--|
| <b>Software and Connection</b> | TQS Line Manager, TQS Device Controller, Industrial firewall with remote maintenance, Data backup and recovery, meets requirements according to CFR 21 part 11, Microsoft Active Directory, customer-specific report, standardised universal interface for connection to level 3 |
| <b>Aggregation level</b>       | Manual extention (optional manual aggregation level)   |
| <b>Handheld scanner</b>        | Wireless   |
| <b>Mark&amp;Verify Group</b>   | TQS Ink Print (TIJ) (optionally CO <sub>2</sub> laser)   |
| <b>Labels</b>                  | Fully integrated thermal transfer label printing   |
| <b>Additional conveyors</b>    | 400 mm-1,500 mm, Turning station, Grouping table (TQS-GT)  |
| <b>Sorting and Ejection</b>    | Rejection bin, Gravity roller conveyor, Blowing nozzle (air blast), Pusher   |
| <b>Sorting lamp</b>            | 3-stage stacklight (optionally customer-specific signalling column)  |
| <b>Language packs</b>          | Bulgarian, Chinese (simplified), Croatian, Czech, Danish, Dutch, English, Estonian, French, German, Greek, Hungarian, Italian, Polish, Portuguese, Romanian, Russian, Spanish, Swedish, Turkish (other languages on request)   |
| <b>Documentation</b>           | Machine documentation, Qualification package, Functional specification (FDS), Risk analysis industrial personal computer (RA IPC), Traceability Matrix (TM), Risk analysis according to Machinery Directive (RAm)  |

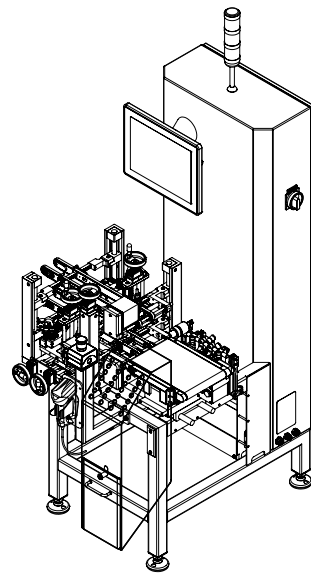
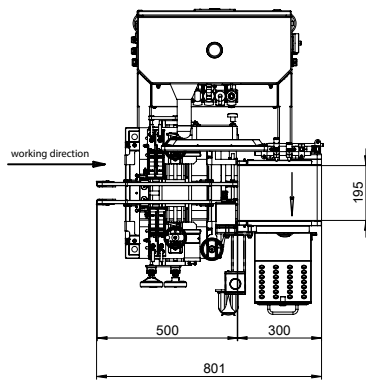
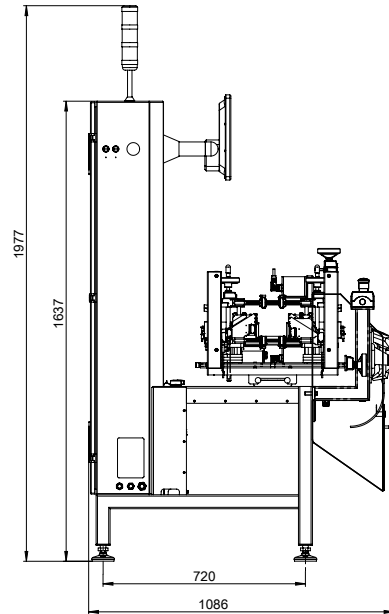
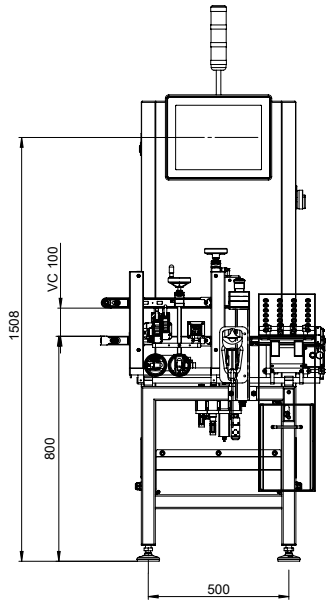
<sup>1)</sup> water spray from above

These specifications are reference values of the standard machine excluding application- or weighing-specific add-on parts.  
Extended performance data available on request.

# MACHINE DIMENSIONS

## TQS-SP

TQS SP

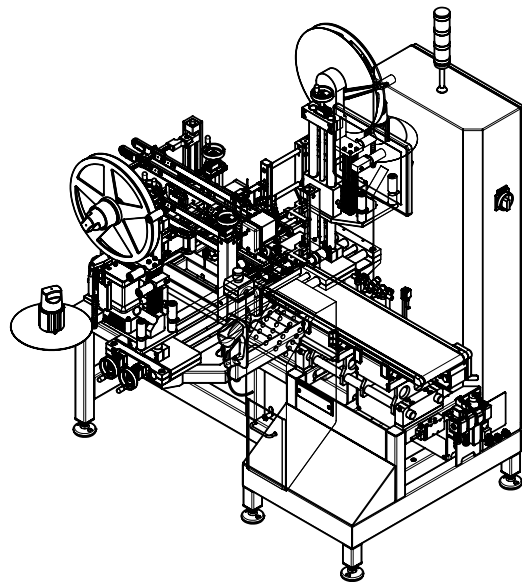
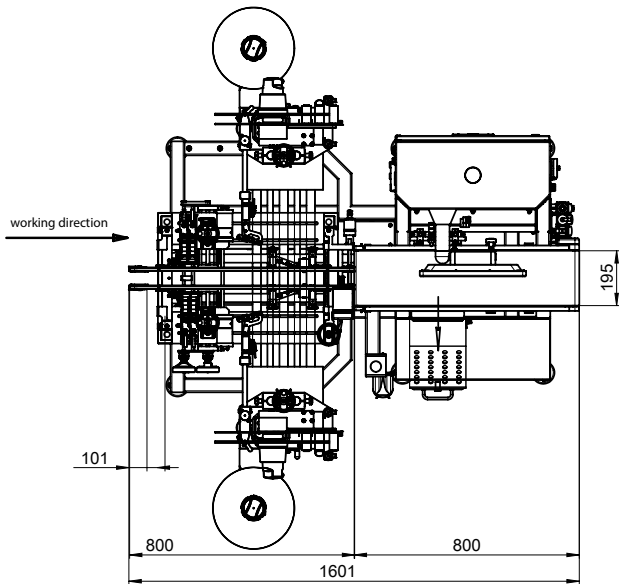
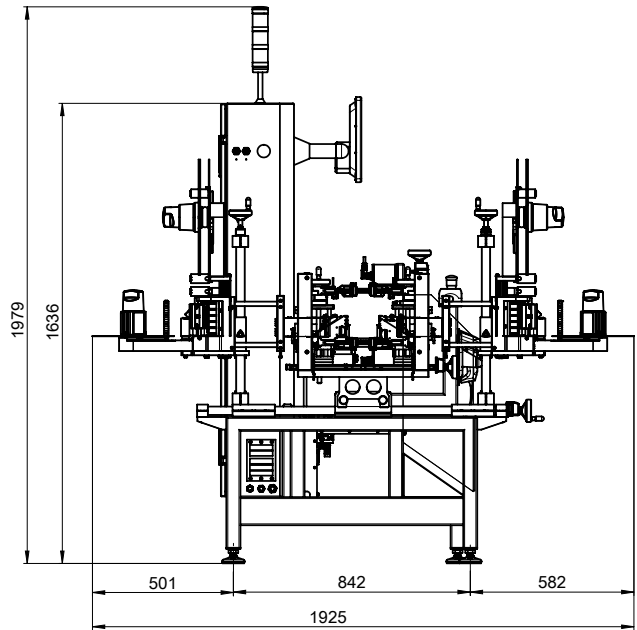
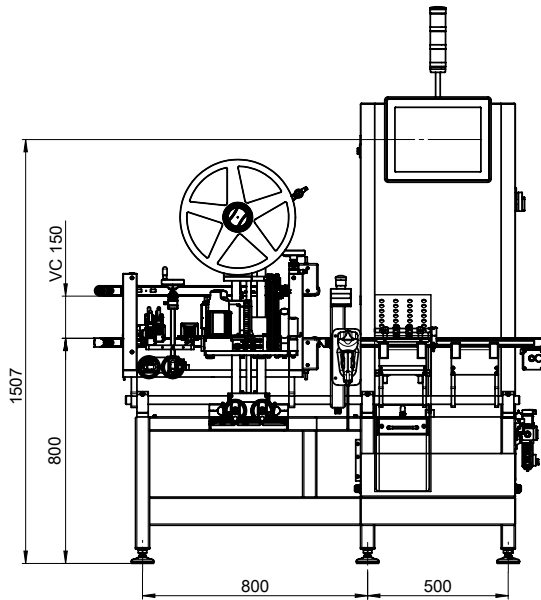


These specifications are reference values of the standard machine excluding application- or weighing-specific add-on parts.  
All entries in mm | Drawing shows design example

# MACHINE DIMENSIONS

## TQS-SP-TE

TQS SP



These specifications are reference values of the standard machine excluding application- or weighing-specific add-on parts.  
All entries in mm | Drawing shows design example

# PERSONAL NOTES



---

---

---

---

---

---

---

---

---

---

---

---

---

---

---

---

---

---

---

---

---

---

---

---

---

---

